

## 420TWAC

### AC VOLTAGE & CURRENT ISOLATING TERMINALS



- AC Voltage or Current Inputs
- RFI Protection, Input Isolation
- Replace Standard DIN rail Terminals.
- Simple 2 Wire 4-20mA Output
- High Noise Immunity
- Low Cost Solution

The 420TWAC isolating terminal block takes an AC Current (typically from a current transformer) or AC Voltage input and converts it to an isolated 4-20mA output.

They replace standard DIN-rail terminals to provide input isolation, signal conversion and excellent RFI and noise rejection.

The units are powered from the output side, making them ideal for plc and data acquisition applications.

Other units are available with mA, voltages, thermocouple, mV or RTD inputs. The standard output is 4-20mA.

In addition two digital modules are available allowing the isolation of digital inputs and outputs.

The 420TWAC units are housed in ultra-compact DIN rail mounted enclosures just 18mm wide.

The standard range of inputs for the 420TWAC are as follows:

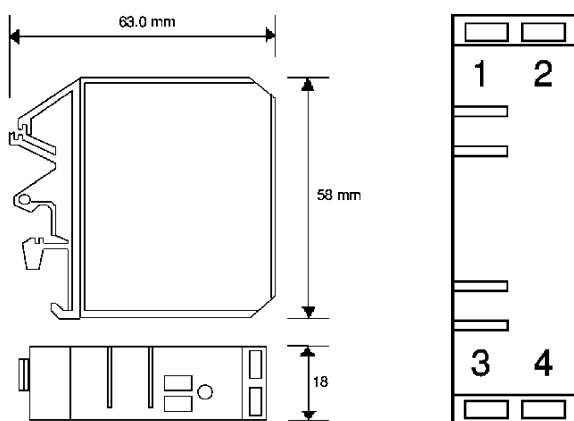
Input Types	Input range MIN	Input range MAX
AC Current	0 - 100 $\mu$ A	0 - 5 A
AC Voltage	0 - 100mV	0 - 60 V

For higher AC Voltage inputs please use a separate DIVIDER unit to provide safety isolation.

Please call for other input types.

## Technical Specifications

Parameter	Min	Typ	Max	Comments
Supply Voltage	8V	24V	32V	Powered from Output Side
Input Current AC			5A	
Output Linearity Error		±0.2%		
Temp Coefficient			150ppm/°C	
Load Resistance Error			±5ppm/Ω	0 < RL < 750Ω
Time Constant (10-90%)		360ms		To within 1% of current step increase
Operating Ambient	0°C		50°C	
Relative Humidity	0%		90%	
Isolation Voltage	500V			
Surge Voltage	2.5kV for 50µS		Transient of 10kV/µS	
Notes	<p>Absolute maximum ratings indicate sustained limits beyond which damage to the device may occur.</p> <p>Device is protected against reverse polarity connection.</p>			



## Installation data

Mounting	DIN Rail TS35
Orientation	Any
Connections	Screw Clamp with pressure plate
Conductor size	0.5-4.0mm
Insulation Stripping	12mm
Weight	Approx 50g

## Connection details

1.	Output Channel +ve
2.	Output Channel -ve
3.	Input Channel +ve
4.	Input Channel -ve

## Ordering information

<b>Please supply:</b>	
<b>Part Number:</b>	II-420TWAC-N-A-9-000
<b>Input Type:</b>	e.g. AC Current or Voltage
<b>Range:</b>	e.g. 0-5A or 0-30 Vac

Email: [sales@industrialinterface.co.uk](mailto:sales@industrialinterface.co.uk)

Web: [www.industrialinterface.co.uk](http://www.industrialinterface.co.uk)



[www.facebook.com/Industrial.Interface](http://www.facebook.com/Industrial.Interface)

@IndustrialInter

Industrial Interface Ltd

