

DSP Range

10W & 30W ISOLATED MAINS POWER SUPPLY UNIT



- ❑ 90 to 264 Vac Operation
- ❑ 10W or 30W Output
- ❑ Short Circuit Protected
- ❑ Safety to UL1310 Class 2
- ❑ Range of Output Voltages Available

Description

The power supply is a mains input, DC output DIN rail mounted power supplies. A wide range (90 to 264Vac) mains voltage input is standard with an output voltage of 24Vdc as standard.

All outputs are protected by current limiting, ensuring short circuit proof operation.

Typical applications for this power supply include powering multiple transmitters, other control and instrumentation devices and as an auxiliary supply for small control panels.

The DSP10-24 power supply is housed in a compact DIN rail mounting enclosure only 18mm wide.

Inputs

Recommended Operating Conditions

Input Voltage Range 90 to 264 Vac

Output Voltage Range 24 Vdc others available

Output Power 10W or 30W

Environmental Conditions

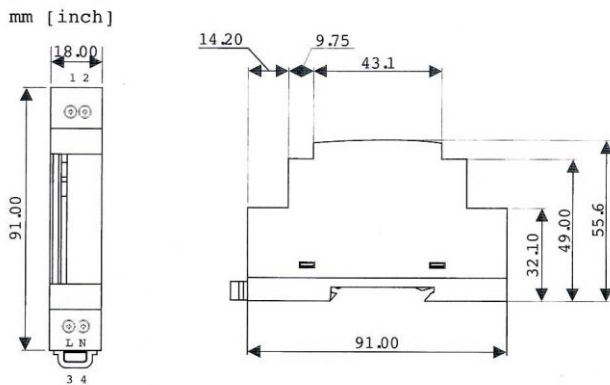
Storage Temperature -25 to 85 °C

Operating Ambient -25 to 60 °C

Relative Humidity 20 to 95% RH

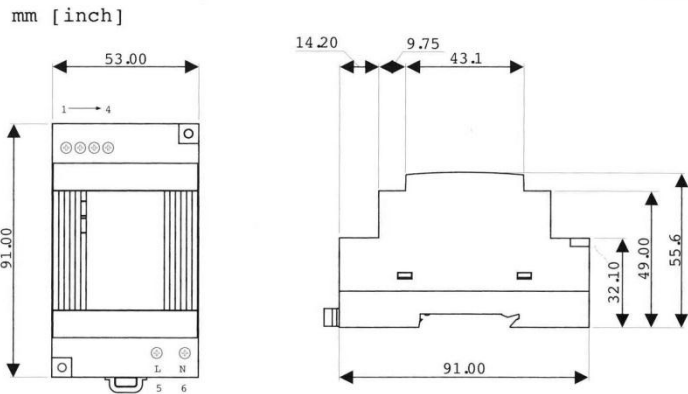
Parameter characteristics

Parameter	Min	Typ	Max	Comments
Supply Voltage	90VAC		264VAC	50/60 Hz
Supply Current			525mA rms	At 240Vac supply
Output Voltage		24V		Other options available
Output Current			0.42 A	Or 1.25W for 30W unit
Operating Ambient	-25°C		60°C	
Relative Humidity	20%		95%	
Notes	Absolute maximum ratings indicate sustained limits beyond which damage to the device may occur. Device is protected against reverse polarity connection. Device is protected against output short circuit			



DSP10-24 Dimensions

Installation data	
Mounting	DIN Rail TS35
Orientation	Any
Connections	Screw Clamp with pressure plate
Conductor size	0.5-4.0mm
Insulation Stripping	12mm
Weight	DSP10 60g DSP30 200g



DSP30-24 Dimensions

Connection details

4.	Power Supply Live
5.	Power Supply Neutral
1.	Output +ve
2.	Output -ve

Ordering information

Part Number:	
10W Version	DSP10-24
30W Version	DSP30-24
Output Voltage:	e.g. 24Vdc

Tel: 01242 251794 Fax: 01242 571683

Email: sales@industrialinterface.co.uk

Web: www.industrialinterface.co.uk



Cert. No: FM512984

www.facebook.com/IndustrialInterface

@IndustrialInter

Industrial Interface Ltd

