



SLIMCON

ISOLATING SIGNAL CONVERTER

- Wide Range of Inputs Available
- Full 3-Port Isolation
- Zero & Span Pots For Output
- Fast Time Response
- High Accuracy, Low Cost
- Only 7.2 mm Wide



Description

The SLIMCON family of Isolating Signal Converters can accept a range of inputs including 4-20mA and voltage signals. The unit produces a high level DC output of either voltage or current.

Full 3 port isolation is standard on the product range.

The SLIMCON can be factory configured to accept a current or voltage input and provides a current or voltage output.

The input and output of the unit can also be reconfigured using the built in switches together with the zero and span adjustment potentiometers.

The unit is powered from 24Vdc nominal.

Inputs

Standard Ranges are shown below - contact Sales for others.

SLIMCON for DC Current & Voltage

0-20mA, 4-20mA, 0-10mA into 5Ω/11Ω

0-10V, 1-5V, 0-5V, 2-10V into 1MΩ

Bipolar Voltage Input version available, please call

Outputs

DC Current and Voltage

Current source or sink

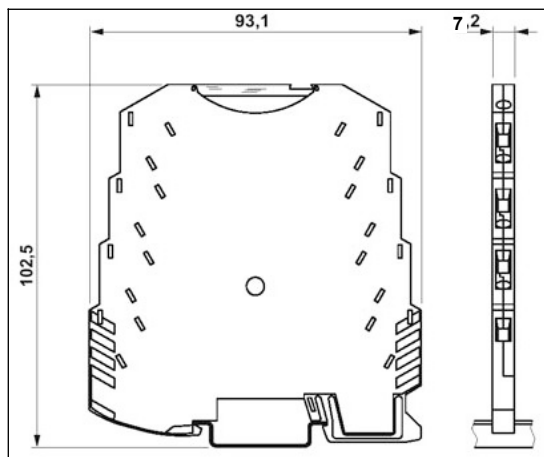
0-20mA, 4-20mA into 500Ω

0-10V, 0-5V, 1-5V into a minimum 100kΩ



Performance Characteristics

Parameter	Min	Typ	Max	Comments
Supply Voltage	18V	24V	30V	22Vdc required to drive 500 ohms
Supply Current (mA)		25	30	Based on 24 V dc supply into 500 ohms
Input Impedance (Volt)		500k Ω		
Input Impedance (mA)		5 Ω	10 Ω	Dep't on range (Typ=20mA, max 0-10mA)
Volt drop (mA input)		0.1	0.15	At 20mA input
Output Linearity Error		$\pm 0.03\%$	$\pm 0.1\%$	
Temp Coefficient			$\pm 100\text{ppm}/\text{C}$	
Load Resistance Error			$\pm 5\text{ppm}/\Omega$	0 < R _L < 500 Ω
Time Constant (10-90%)		25mS	30mS	Faster response available on request
Operating Ambient	0 C		55 C	
Relative Humidity	0%		90%	
Isolation Voltage <small>see note 1</small>	1kV			
Surge Voltage	2.5kV for 50 μ S			Transient of 10kV/ μ S
Notes	<p>Absolute maximum ratings indicate sustained limits beyond which damage to the device may occur.</p> <p>Accuracy figures based on 24Vdc supply, 4-20mA output with 250Ω load and 20C ambient.</p> <p>Device is protected against reverse polarity connection. External 100mA fuse required</p> <p>SLIMCON does NOT provide safety isolation when the input is connected to the mains.</p>			



Installation Data

Mounting	DIN Rail TS35
Orientation	Any
Connections	Screw Clamp with pressure plate
Conductor size	0.5-4.0mm
Insulation Stripping	12mm
Weight	Approx. 60g

Connection Details

1. Power Supply -ve
2. Power Supply +ve
4. Process Input -ve
5. Process Input +ve
10. Output -ve
12. Output +ve

Ordering Information

Please supply:

Part Number:	SLIMCON
Input Type:	e.g. mA, Volt
Input Range:	e.g. 4-20, 0-10
Output Type:	e.g. mA, Volt
Output Range:	e.g. 4-20mA, 0-10V
Power Supply:	e.g. 24Vdc
Isolation:	Full 3-Port