



NEW SCTR Series

SPLIT-CORE CURRENT TRANSFORMER

- Wide Range of Inputs Available
- 5A Standard Secondary
- Unique Clip-Together Action
- Moulded Case with 1 Metre Cable
- Rated System Voltage 0.72/3kV
- Conforms to IEC 185, BS7626, BS EN 60044-1 and IEC 60044-1

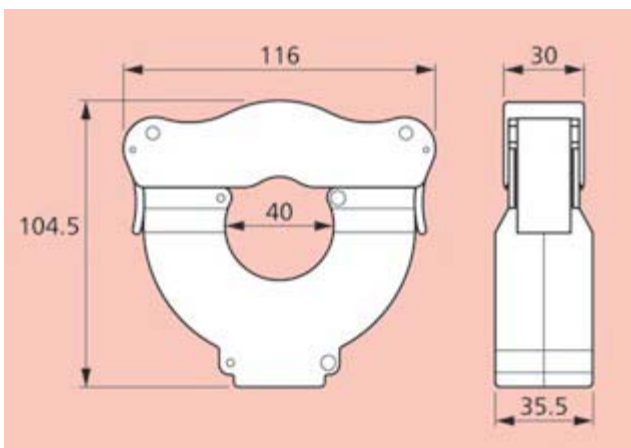


Description

Split-core transformer, with a unique clip-together feature. Supplied in a moulded case with 1 metre flying leads. Suitable for primary ranges up to 800A with 5A secondary.

For installation into existing networks without disconnecting cable circuits. The fast action clip function ensures a high speed permanent installation.

Ambient temperature range is -30°C to 85°C.
 Continuous current is 1.2 x rated current.
 Frequency range 50-60Hz.
 Insulation level 3kV for 1 minute.
 Enclosure flame retardancy UL94VO



Primary Current	VA	Class
100A	1	1
150A	1.5	1
200A	2.5	1
250A	2.5	1
300A	2.5	1
400A	5	1
500A	5	1
600A	5	1
800A	5	1

Order Example: A split core current transformer with 5A secondary and 200A primary, 2.5VA class 1 is part number **SCTR-5-200-2.5**