



## NEW MCTR Series

### MOULDED CASE CURRENT TRANSFORMER

- Wide Range of Inputs Available
- 5A or 1A Standard Secondary
- DIN Rail Mounting Clip
- Built In Sealable Terminal Covers
- Rated System Voltage 0.72/3kV
- Conforms to IEC 185, BS7626, BS EN 60044-1 and IEC 60044-1



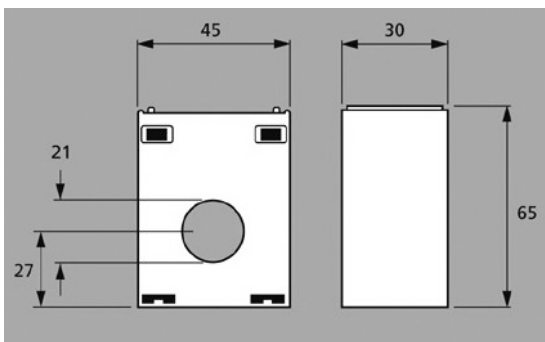
#### Description

A range of compact, low cost, moulded case current transformers suitable for primary currents from 25A to 800A with built in sealable covers.

Supplied in 3 different sizes which are suitable for transforming various primary currents into 5A or 1A standard secondary using up to 20mm cables, or 20-40mm busbars or cables.

Ambient temperature range is -30°C to 85°C.  
Continuous current is 1.2 x rated current.

The order codes for each of the transformers are shown in the tables below and overleaf.

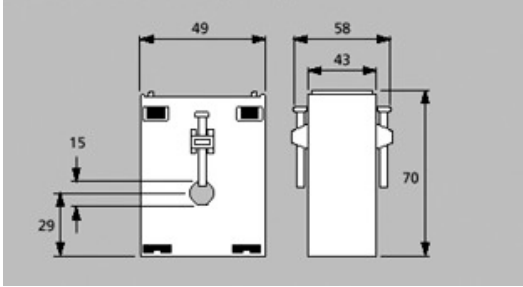


Type 13 Ranges								
VA	Class 1				Class 0.5			
	1	1.5	2.5	5	1	1.5	2.5	5
40A								
50A	B5							
60A	C5	C6						
75A	D5	D6						
80A	E5	E6						
100A	F5	F6	F7		F9	F10		
120A	G5	G6	G7		G9	G10	G11	
150A	H5	H6	H7		H9	H10	H11	
200A	J5	J6	J7	J8	J9	J10	J11	
250A	K5	K6	K7	K8	K9	K10	K11	K12
300A	L5	L6	L7	L8	L9	L10	L11	L12

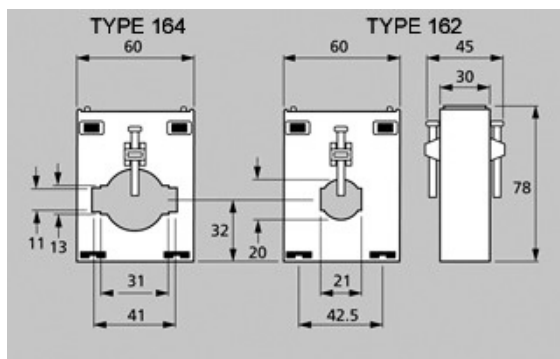
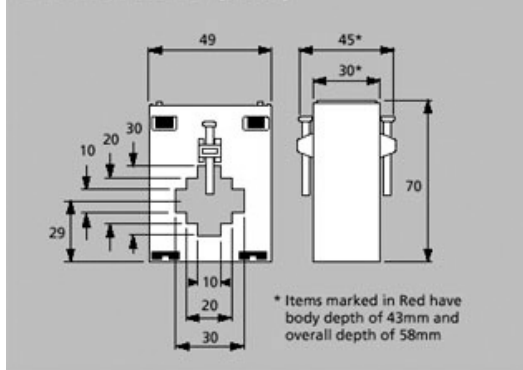
1A secondary available by request  
**Order Example:** A moulded case current transformer type 13, with 5A secondary and 200A primary 2.5VA class 1 is part number **MCTR13-5-J7**



## DIMENSIONS (mm)



## DIMENSIONS (mm)



## Type 141 Ranges

VA	Class 1				Class 0.5			
	1.5	2.5	5	10	1.5	2.5	5	10
25A								
30A								
40A	C5							
50A	D5	D6						
60A	E5	E6						
80A	F5	F6	F7		F9	F10		
100A	G5	G6	G7		G9	G10		
120A	H5	H6	H7	H8	H9	H10		

1A secondary available by request

**Order Example:** A moulded case current transformer type 141, with 5A secondary and 100A primary 2.5VA class 1 is part number **MCTR141-5-G6**

## Type 143 Ranges

VA	Class 1				Class 0.5			
	1.5	2.5	5	10	1.5	2.5	5	10
60A	A5							
75A	B5							
80A	C5							
100A	D5	D6			D9			
125A	E5	E6			E9			
150A	F5	F6			F9			
200A	G5	G6	G7		G9	G10		
250A	H5	H6	H7		H9	H10		
300A	J5	J6	J7	J8	J9	J10	J11	
400A	K5	K6	K7	K8	K9	K10	K11	
500A	L5	L6	L7	L8	L9	L10	L11	

1A secondary available by request

**Order Example:** A moulded case current transformer type 143, with 5A secondary and 400A primary 5VA class 1 is part number **MCTR141-5-K7**

## Type 162 Ranges

VA	Class 1		
	1	1.5	2.5
30A			
40A			
50A	C4		
60A	D4	D5	

## Type 164 Ranges

VA	Class 1			Class 0.5		
	2.5	5	10	2.5	5	10
100A	A4					
150A	B4					
200A	C4			C7		
250A	D4			D7		
300A	E4			E7		
400A	F4	F5		F7		
500A	G4	G5		G7	G8	
600A	H4	H5		H7	H8	
800A	J4	J5	J6	J7	J8	

**Order Example:** A moulded case current transformer type 164, with 5A secondary and 400A primary 5VA class 1 is part number **MCTR164-5-F5**